

R4-50 Rotary Latch

Heavy-duty · Two stage

Features

- Single or multi-point latch capability
- Compatible with wide array of actuators
- FMVSS 206 compliant
- EN 45545-3 E60 compliant

Material

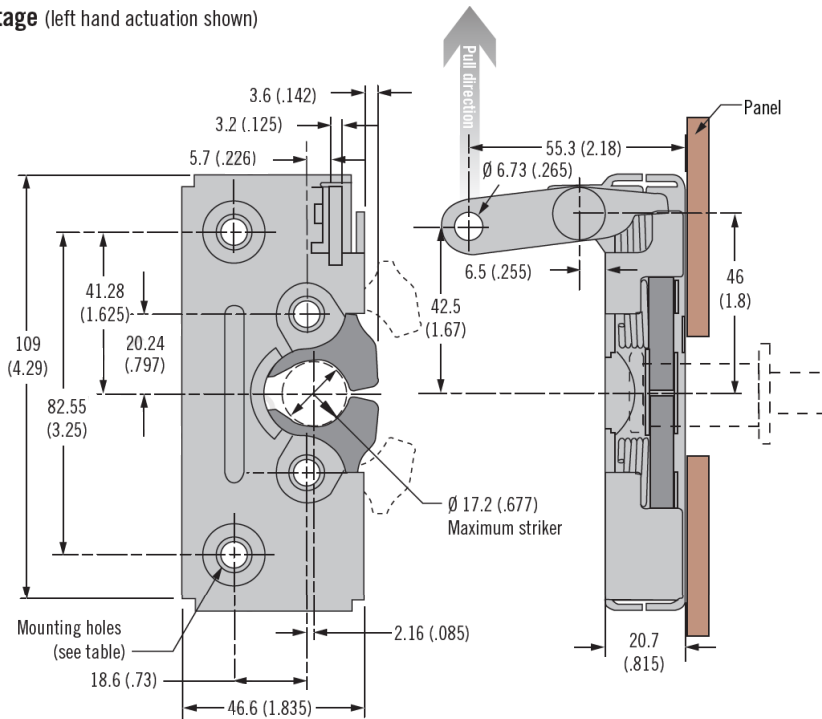
- Steel, zinc plated

Accessories

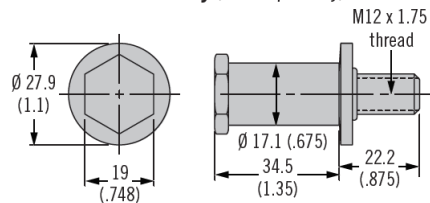
- Cables and retainer clips (sold separately)



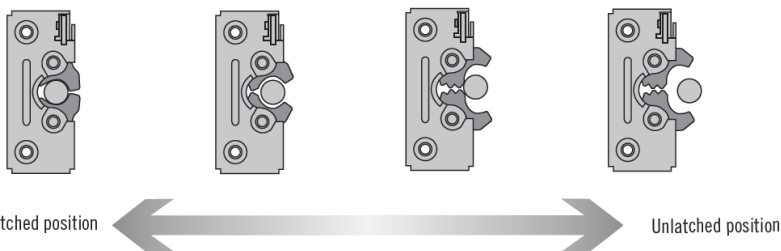
Two Stage (left hand actuation shown)



Striker Bolt Assembly (sold separately)



Operation



Mounting Style	Part Number		
	Left Hand Actuation	Right Hand Actuation	Striker Bolt
Ø 7.2 (.283) Thru	R4-50-40-101-10	R4-50-30-101-10	R4-90-441-10
1/4-20 Thread	R4-50-41-101-10	R4-50-31-101-10	
M6 X 1 Thread	R4-50-42-101-10	R4-50-32-101-10	

southco®

We are proud to be Southco's authorized distributor of over 20 years